



# FCE FIBER COVERAGE EXTENDER

The Unique Solution for  
Sports & Live Broadcasting  
Events over Large Areas,  
Stadiums and Multi-Venue  
Sites

The FCE allows an extended range of peripheral wireless zone coverage. This is a step-up from the traditional point-to-point wireless video connection.

## KEY FEATURES

- Enable fiber connection between Antennas and Receiver
- Separation of the Receiver from the antennas up to 30km/20 miles
- Full featured system support including CCU, Teleprompter, Video Return, Tally and integrated Intercom system
- Supports HD and 4K resolution
- Seamless roaming from one coverage zone to another without losing a pixel!
- Star and/or daisy chain configuration
- Quick and easy automatic setup with no manual intervention
- Flexible deployment of any number of FCEs
- Single zone and Multi zone modes
- Compatible with the AB1000 fiber optical switch

## APPLICATIONS

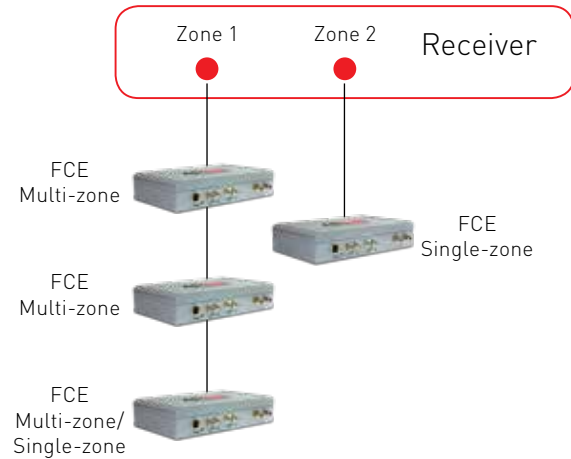
- Very large Sport Stadiums (NFL, NBA University campuses)
- Race Track Events (Horse, Car Racing, Golf, Drones)
- Multi studios production



## THE BASIC SOLUTION: FCE-SINGLEZONE™

ABonAir's innovative solution is widely used in live events with complex wireless requirements where the antennas are positioned anywhere from a few meters to up to 30 km/20 miles from the Receiver.

This configuration totally upends typical configuration settings where the Antennas must be close to the Receiver. The Receiver is connected to the FCE via a fiber-optic cable. Hence the Receiver can be placed in a mobile production truck, OB van or control room far from the antennas. The fiber connectivity configuration between the FCE and the Receiver is full duplex, enabling the system to maintain support of its entire feature set: 7 msec delay video, audio, camera control unit (CCU), intercom, IFB, Teleprompter, Video Return and more.



## THE EXPANDED SOLUTION: FCE-MULTIZONE™

This revolutionary technology enables the coverage of live events on dispersed locations found on a large venue like university campus. Each zone is covered by an FCE, and all are connected to a single Receiver. With MultiZone™ FCEs, it is easy to extend the coverage endlessly.

Roaming from one coverage zone to another is remarkably seamless without losing a pixel! This is achieved by utilizing ABonAir's bi-directional & re-transmit algorithms.

The MultiZone™ solution can be deployed in two topologies based on the venue requirements; Daisy Chain or Star or any combination of the two. The MultiZone™ solution comes in a simple plug-and-play setup with an automatic configuration where the Receiver identifies the chosen topology and adapts accordingly.

## THE COMBINED SOLUTION – FCE-MULTIZONE AND FCE-SINGLEZONE:

The ABonAir flexible technology and topology allow the connectivity of single and multi zone modes. Thus, it is possible to cover different zones simultaneously.

## SPECIFICATIONS / CAMERA CONNECTIVITY

### FIBER CONNECTION TYPE

TYPE AND TERMINATION	FC, single mode, multi mode
----------------------	-----------------------------

### PERFORMANCE

RECEIVER-FCE DISTANCE	30Km/20 miles (optional: up to 80Km)
-----------------------	--------------------------------------

CAMERA CONNECTIVITY	Supports 2 cameras simultaneously*
---------------------	------------------------------------

### POWER

INPUT VOLTAGE RANGE	10 to 14 Volts DC Under / Over voltage protection
---------------------	---

POWER CONSUMPTION	5 Watts
-------------------	---------

### MECHANICAL

SIZE	28cm X 17cm x 7cm
------	-------------------

WEIGHT	1.4Kg (3.1Lbs)
--------	----------------

### ENVIRONMENTAL

OPERATING RANGE	-10c to +60c
-----------------	--------------

HUMIDITY	100%
----------	------

### ANTENNA

EXTERNAL ANTENNA CONNECTOR	N type female
----------------------------	---------------

\* a SW license is required for 2 camera use