



AB1100™

The Unique Solution for Sports & Live Broadcasting Events in Multi-Venue Sites

ABonAir's AB1100™ is a sophisticated fiber Multiplexer that aggregates transmission from 7 zones or venues! AB1100™ successfully facilitates the coverage of complex live events taking place in large venues or within dispersed multiple zones

MAJOR BENEFITS

- Large area and multi zone coverage with a single AB1100™ panel
- Dispersed multi-venue coverage, all with a single AB1100™ in a single control room
- Utilizing existing infrastructure of fiber optics

KEY FEATURES

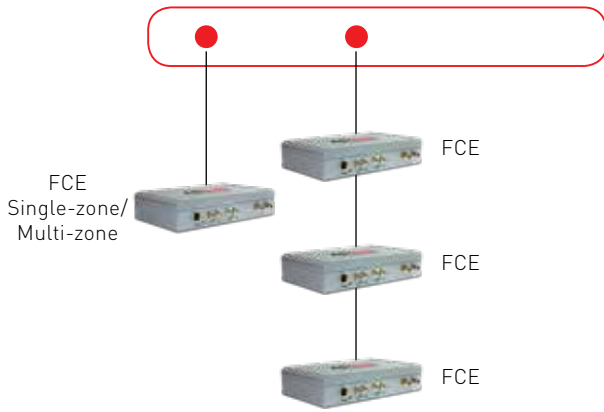
- Maintains full systems' features, including low latency delay, CCU & Tally
- Connects to all ABonAir's 1U products (AB612, AB512)
- Picture quality – HD and 4K
- Star and/or daisy chain configuration support
- Quick and easy automatic setup with no manual intervention
- Capable of aggregation broadcasts from 7 zones simultaneously
- Fiber-optic based connectivity

APPLICATIONS

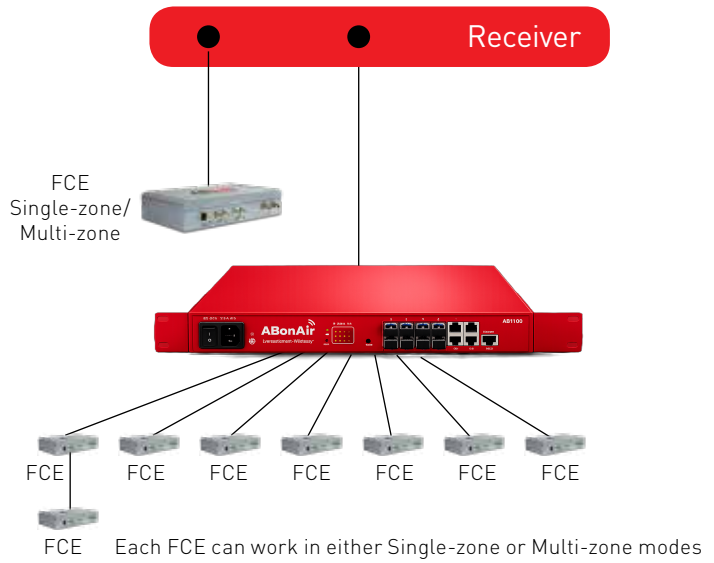
- Large Sport Stadiums (Major League and University Stadiums)
- News and DSNG
- Race Track Events (Horse, Car Racing, Golf)



Configuration without AB 1100™



Configuration with AB 1100™ Receiver



THE AB1100™ SOLUTION FOR A SIMULTANEOUS MULTI-ZONE COVERAGE

When it comes to the transmission of broadcasts of more than one zone and multiple cameras, the one receiver per venue/zone is a technical and logistics challenge for universities.

ABonAir's innovative AB1100™ solution enables the coverage of live events on dispersed locations found on one large venue like university campus and controlled from a central location. With this new topography, each zone transmits via an FCE, and all FCEs are connected to a main control panel the AB1100™ which is connected to a single Receiver. Both the AB1100™ and the Receiver are located in the control room or OB van.

With the AB1100™, it is now possible to cover all university venue. No need to run new fiber optics and spend extras. Broadcasts can run on existing infrastructure, in one place and bring more choices and excitement to the audience!

SPECIFICATIONS

FIBER CONNECTION TYPE

TYPE AND TERMINATION FC, single mode

PERFORMANCE

RECEIVER-FCE DISTANCE up to 15Km (optional: up to 80Km)

POWER

INPUT VOLTAGE RANGE 10 to 14 Volts DC Under / Over voltage protection

POWER CONSUMPTION 5 Watts

MECHANICAL

SIZE 1RU / 4cm x 44cm x 25cm

WEIGHT 2 Kg

ENVIRONMENTAL

OPERATING RANGE -10c to +60c

HUMIDITY 100%

NUMBER OF FCE CHAINS 7

* AB1100™ requires a Multi-zone software license



17 Atir Yeda St. Kfar Saba, 4464313, Israel

Headquarters +972.9.744.0055 USA +1.770.298.5777

info@abonair.com | www.abonair.com